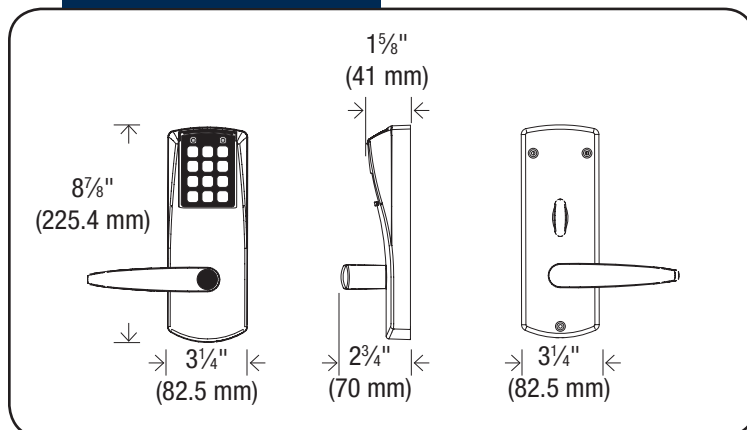




Dimensions



Application

Suitable for facilities from 1 to 15,000 rooms. Ideal for property management, apartments, condos, corporate suites and time share resorts. Replaces existing cylindrical or mortise locks. Interior or exterior applications.

System Benefits

- Time and date sensitive code grants access
- Simplifies or eliminates the check-in process and permits after-hours check-in without staff assistance
- Increase security immediately and economically
- Installs in minutes
- No keys, cards or wiring
- Access codes are easily assigned
- Guests find the system easy to use
- Code can be generated on site or off site
- Code can be transmitted by phone, fax
- Can be integrated into an existing PMS system

Security Features

- Up to 1 million possible combinations
- Vandalism and attack resistant
- Tamper shutdown protection
- Audit trail of lock access and Web based software use
- Emergency access by mechanical key override
- 1" solid metal deadbolt

Low Maintenance

- Access codes, lock setup and the audit trail are not erased during battery replacement
- Wear resistant construction and finish

Mechanical Features

Description:	Heavy duty electronic lockset, cylindrical or mortise with clutch mechanism activated by numeric combination
Handing:	Left or Right factory handed, field reversible
Door Preparation:	Door preparation drawing and drilling template provided
Guest Privacy:	Interior thumbturn or mortise version
Numeric Keypad:	Vandal resistant, 12-button, metal keys
Weight:	8 lbs (3.6 kg)
Lever type:	Lever with short return when moldings prevent the use of a full return lever
Mechanical Key Override:	In handle; removable core type KIL, C-keyway
Door Thickness:	From 1 3/8" to 2 1/2" (35 mm to 64 mm)
Standard finishes:	Satin Chrome (626), Satin Brass (606), Satin Chrome Supreme (826), Satin Brass Supreme (806) (Salt water Application)

Electrical Features

Batteries:	3 x AA (Alkaline type only)
Low battery indicator:	Last 2,000 openings

Lock Operation

Combination Codes:	6+ digits per code
Programming:	Using the hand-held infrared device
Feedback:	"Dual sensory" audible and visible indicators
Security Levels:	128 levels
Tamper Lockout:	40 second timed lockout after 4 invalid entry attempts
Emergency Access:	Mechanical key override
Passage Mode:	Set or remove with proper code
Lockout:	Set or remove with proper code
Unlock Time:	Adjustable from 5 to 20 seconds by administrator level
Audit Trail:	Last 1000 entries showing date, time, user and code
Personalized Code:	Enable/disable at lock programming
One Time Code:	Code will unlock door once

Certification and Testing

Accessibility standard:	Americans with disabilities act (ADA)
Fire rating:	3 hours UL/ULC fire rating for "A" labeled doors; 20 minutes for wooden doors (2 3/8" cylindrical lock is not fire rated).
Environmental Operating Conditions:	Outside housing: -31°F to 151°F (-35°C to 66°C) Inside housing: 32°F to 120°F (0°C to 49°C)
Electronics:	FCC Part 15 Class A and CE directive 89/336/EEC compliant
Durability:	Meet requirements of ANSI A156.25 for dust, rain, humidity and salt spray corrosion tests

How to Order

US and Canada T: 1.877.468.3555
International T: +1.514.735.5410

E: info@kim.kaba.com

www.kabalodging.com/oracode

